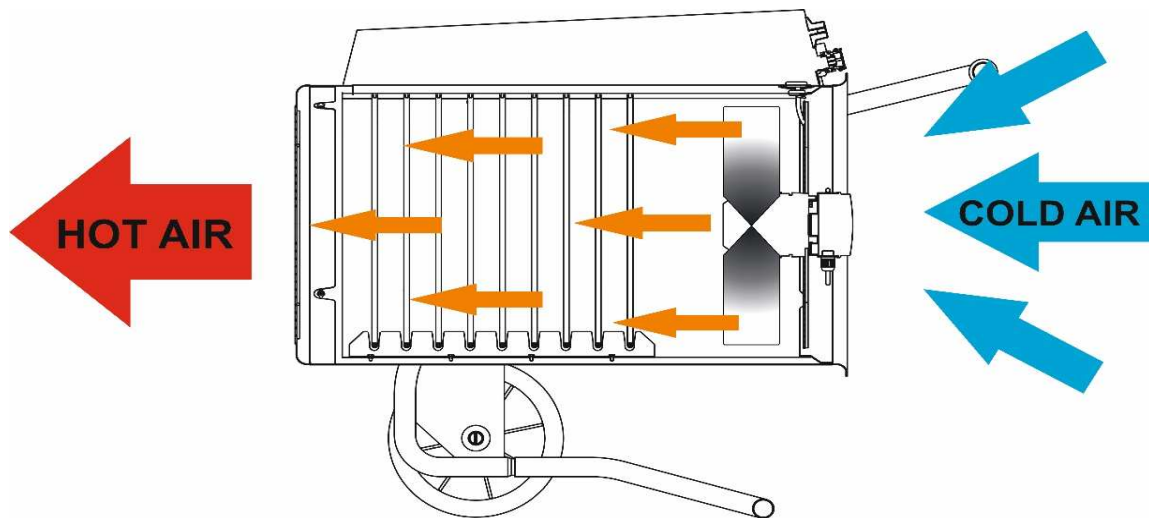


ELECTRICAL HEATER

RS 40



FUNCTIONING PRINCIPLES



THE DEVICE WORKS ON THE PRINCIPLE OF FORCED CONVECTION. THE AIR FLOW IS FORCED BY A FAN. COLD AIR IS SUCKED FROM THE BACK OF THE UNIT.

THE RESISTANCES HEAT THE AIR. THE HEATED AIR IS EXPELLED FROM THE FRONT OF THE HEATER. THE UNIT IS EQUIPPED WITH THERMAL PROTECTION WITH RESET AND A COOLING THERMOSTAT. SWITCH POSITIONS : VENTILATION, HEATING WITH HALF POWER, HEATING AT FULL POWER.

TECHNICAL DATA

Power	kW	40	Power supply	V	380-400	
	kcal/h	34.400		Frequency	Hz	50
	Btu/h	136.480			Rated current	A
Supply		AC	Temperature range	°C		-30 / +35
Net weight	kg	47		IP protection	IP	20
Gross weight	kg	54				
Noise level	dBa	65				
Air displacement	m ³ /h	3.100				

PACKAGING

Packaging dimensions	mm	870 x 630 x 770
Device dimensions	mm	990 x 710 x 800
Pieces for Europallet	n°	1
Pieces full truck	n°	135

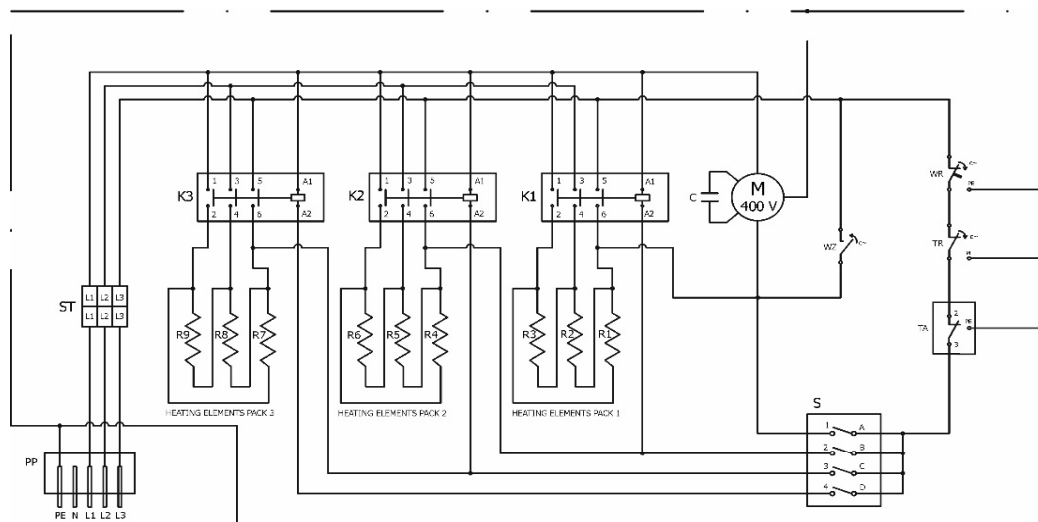
COMPONENTS

Heating elements (each)	4,4 kW
Temperature limiter	With Capillary
Fan	Ø 370 mm
Thermal protection	170 °C
Cooling thermostat	40 °C
Motor	Asynchronous, threephases, with thermal protection, clockwise rotation, 1350 rpm
Connector thermostat	TH5
Contactors	18 A

ACCESSORIES

Room thermostat	Thermostat TH5
-----------------	----------------

WIRING DIAGRAM



DESCRIPTION

- S- rotary switch
- M- motor
- C- capacitor
- TR- automatical thermal cut-out
- WR- thermal cut-out with manual reset
- WZ- fan thermostat
- T- ambient thermostat
- K- contactor
- R- heating element
- ST- screw terminal
- PP- plug